

IB-200-LA352C-03 V1.1



LIFAair

LIFAair International Limited

Manufactured by Dongguan LIFAair Technology Ltd.
Address: No. 2, East Industry Road, Songshan Lake Science &
Technology Industrial Park, Dongguan, 523808, CHINA
www.lifaair.com Designed in Finland

LA352C Smart Air Purifier

Please read the user manual before using the product, and do keep securely for future reference.

Warning: Before first time use, you must take out all HEPA filters and remove the moisture-proof protective bag on the activated carbon plates(4 pieces).

Thank you for selecting LIFAir! You are about to enjoy superior Finnish technology and innovation for quality living.

Important safety information

- Only use attachments/accessories provided by the manufacturer.
- Keep the machine away from children to avoid accidents.
- Do not block any ventilation openings. Install the machine in accordance with the manufacturer's instructions.
- Make sure the machine stands in the upright position, never operate the machine when in other orientations.
- Unplug the machine when it is not being used for a long period of time.
- Do not use this machine in rooms with large temperature differences to avoid water condensation inside.
- Protect the power cord from being walked on or pinched.
- Please switch off and unplug the machine before moving it or cleaning and/or replacing the filters.
- Do not use this machine in high temperature and/or humidity environments, such as bathrooms.
- Never open the power adapter to avoid electric shock and impact on warranty.
- For user safety and product protection, do not sit or lean on the machine.
- Do not put objects into the movable portion, the air inlet and/or outlet.
- Do not place the product directly under air conditioning units to prevent condensed water droplets.
- With the exception of professional maintenance personnel, please do not attempt to repair the product.
- To prevent electric shocks, be sure to follow the requirements of the method and manner of this manual for cleaning and maintaining the product. Please do not try to maintain the product in any other way.
- Please ensure that the machine is used only with the power supply unit provided with the appliance.

Safety marking label of main unit is on the bottom plate of the product.

Power warning:

- Place the product near the power outlet.
- Before use, make sure that the operating voltage is the same as your local power supply. Correct operating voltage can be found on the product plate.
- For safety purpose, unplug the product during lightning storms or when unused for extended periods of time.
- Under normal conditions, the power supply may get hot. Please keep good ventilation in the area and exercise caution.
- Safety warning labels on the housing or bottom of the product or power adaptor.



This symbol is to alert the user to the presence of un-insulated dangerous voltage within the product's enclosure that may be of sufficient magnitude to constitute a risk of electric shock to persons.



This symbol is to warn the user not to disassemble the enclosure of the product and there is no user-replaceable part inside. Take the product to an authorized service center for repair.



This symbol indicates that the product is for indoor use only.



Use only with the cart, stand, tripod, bracket, or table specified by the manufacturer, or sold with the apparatus. When a cart is used, use caution when moving the cart/apparatus combination to avoid injury from tip-over



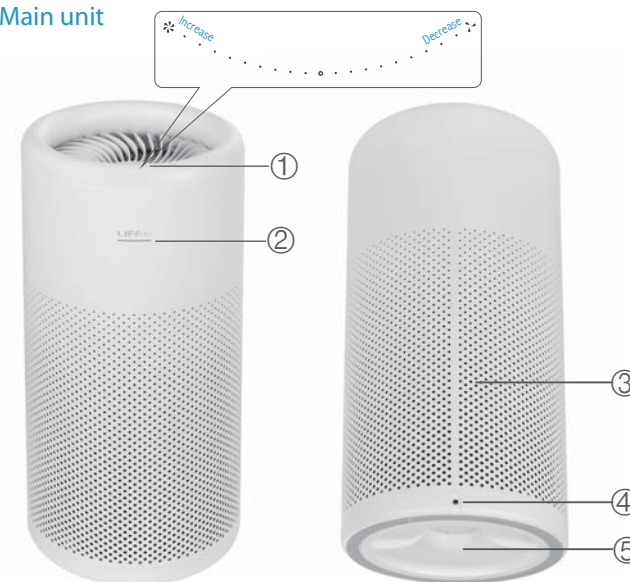
Correct disposal of this product. This marking indicates that this product should not be disposed with other household wastes throughout the EU. To prevent possible harm to the environment or human health from uncontrolled waste disposal, recycle it responsibly to promote the sustainable reuse of material resources. To return your used device, please use the return and collection systems or contact the retailer where the product was purchased. They can take this product for environmental safe recycling.

Packing List



Function Description

Main unit



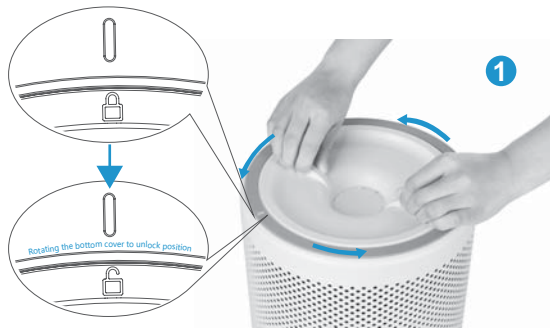
- ① Touch control surface: to change wind speed and enter into auto mode and manual mode.
- ② Working status / power indicator

| |
|--|
| Monitoring controller not connected |
| Green light slowly flashing: minimum wind speed |
| Green light rapid flashing three times: enter into manual mode |
| Green light remains steady: operating |
| White light: |
| ① Rapid flashing three times in the first time: enter into auto mode preset wind speed status. |
| ② Rapid flashing three times in the second time: ensure preset wind speed and enter auto mode |

- ③ Air intake
- ④ DC power connector (connect to power adapter)
- ⑤ Bottom cover

Initial Installation

3



Cover the ground with a layer of soft towel or any protective pad, flip the main unit upside down while rotating bottom cover to unlock. (Make sure that DC power is turned off).

2



Remove the bottom cover.

3



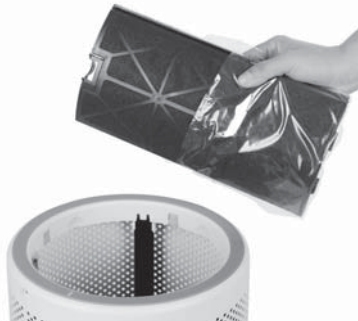
Hold the top of HEPA filter by hands and lift to remove.

4



Take out the 4-piece activated carbon plates inside the main unit. (remove the carbon plates after pressing down the buckle with finger - see diagram).

5



Remove the moisture proof plastic bag on the carbon plates.

English

6



Replace the 4-piece carbon plate into the main unit (Please make sure the two extensions on the bottom of carbon plate match the grooves on the main unit).

Initial Installation

4

7



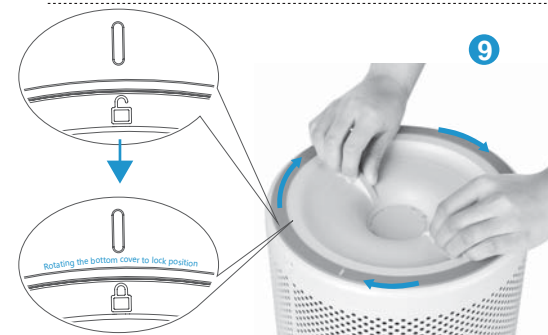
Make sure the extensions and grooves are fastened after placing the carbon plates back into the main unit.

8



Place filter back to the main unit and close bottom cover.

9



Lock the bottom cover (be sure to rotate the bottom cover to the lock position).

10



The installation is completed. Flip the main unit carefully back to the upright position.

Connect the power supply



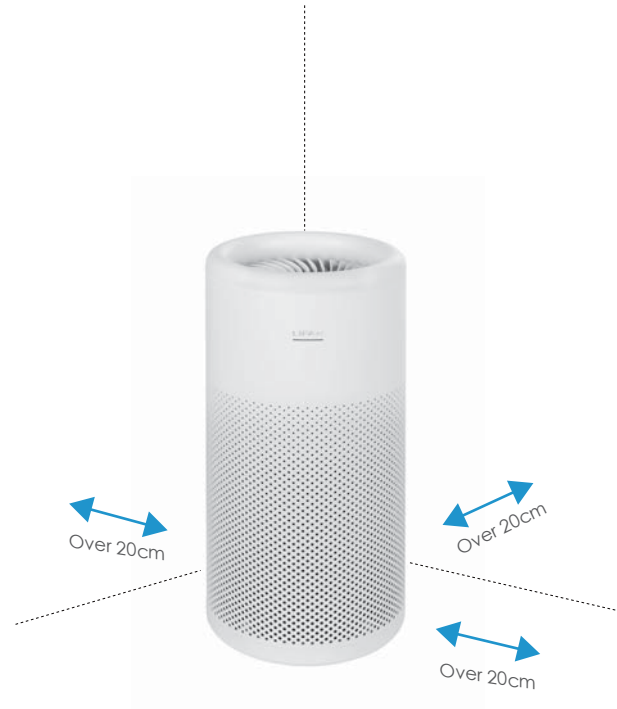
Remove the protective strip on the DC power connector of main unit, take out the power cord and connect to the power supply.
In the first time use, the product default is in auto mode (factory setting is 50% air volume, if the user has finished manual setting, it will be the setting before power off.)



English

Correct positioning

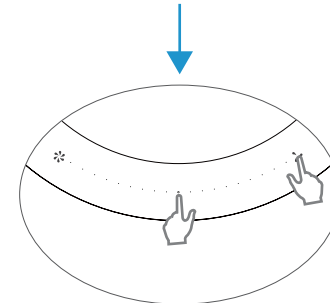
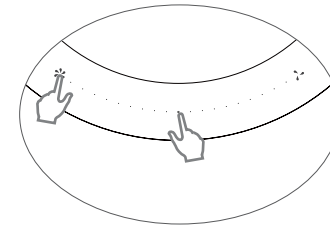
In order to optimize the best use from the air purifier, please ensure that air inlets should maintain a certain distance from the wall and other obstructions.



Note: The pictures in this manual are schematics and may slightly differ from final production, therefore defer to product.

- * This product have auto mode and manual mode, it can satisfy the requirements in different occasions.
- * In the first time use, the product default is in auto mode (factory setting is 50% air volume, if user has finished manual setting, it will be the setting before power off).
- * This product has memory function, it can automatically remember the mode air volume before power off.

Auto mode



Auto mode:

1. Manually adjust wind speed to minimum air volume (green LED light is in breathing status), it will automatically return to preset wind speed after 30 seconds.
2. Manually adjust wind speed to other air volume, it will automatically return to preset wind speed after 20 seconds.
3. In the first time use, the product default is in auto mode (factory setting is 50% air volume, if user has finished manual setting, it will be the setting value before power off).

Adjust preset wind speed under auto mode

1. Steps of preset purifier wind speed are as follow
 - a. Manually adjust wind speed to minimum air volume (green LED light is in breathing status), press and hold "❄️" and "⦿" icon for about 2 seconds at the same time, after white LED light flashes three times, green light remains steady.
 - b. Operate the touch control surface on the main unit to adjust purifier to an appropriate wind speed (you need to finish this operation before green LED light rapidly flashes three times under 10 seconds, or it will automatically switch to manual mode).
 - c. Press and hold "⦿" and "❄️" icon for about 2 seconds at the same time, after white LED light flashes three times, green light remains steady, so you have checked with auto mode wind speed setting.
2. User can use monitoring controller of LIFAair product to enter into auto mode wind speed setting.

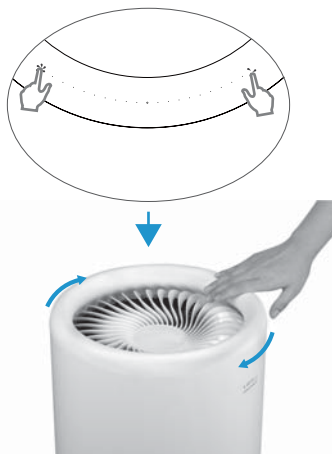
Switch manual mode to auto mode

Please finish the above three steps about presetting purifier wind speed adjustment, the product enter into auto mode.

Note: Due to product updates and software upgrades, the description here may not match the user interface therefore defer to product.



Manual mode



Manual mode:

1. Manually adjust it to minimum air volume (green LED light is in breathing status),
2. Press and hold “” and “” icon for about 2 seconds at the same time, after green LED light flashes three times, green light remains steady, the purifier enter into manual mode.

Under manual mode, users can touch purifier to adjust wind speed according to personal preference

Switch auto mode to manual mode

Please finish the above two steps about manual mode adjustment, the product enter into manual mode.

Maintenance

Filter replacement (Make sure that the main unit stops running, un-plug the power cord and then clean or replace the filters)

User can pair the purifier main unit with monitoring controller (LAM01/LAM01a/LAM02) of LIFAair product to check the use of filter whether need to clean and replace the filter.

Clean the prefilter



Clean the prefilter, take out the four activated carbon plates, clean it outdoors using a dry cleaner equipped with brush. Clean the dust on the outer surface of carbon plates. Upon completion of cleaning, put carbon plates back into the main unit. User can reset the carbon plates by pairing the purifier with monitoring controller of LIFAair product (LAM01/LAM01a/LAM02).

Note: Do not use a wet towel to clean the prefilter, in order to avoid clogging the prefilter.

Specification



Product Name: Smart Air Purifier

Product Type: LA352C

Particle Clean Air Delivery Rate (CADR particulate matter): 330m³/h

Particle Cumulate Clean Mass (CCM particulate matter): P4 level

Formaldehyde Clean Air Delivery Rate (CADR formaldehyde): 140m³/h

Formaldehyde Cumulate Clean Mass (CCM formaldehyde): F4 level

Formaldehyde Removal Efficiency: high efficient level

Particle Removal Efficiency: high efficient level

Noise: 66dB (A)

Application area: 23m² ~39m²

Note: for application area, it is in accordance with the national standard GB/T18801-2015 calculated based on the value of CADR for particle. Performance data above are in accordance with GB/T18801-2015 tested by the third-party laboratories by using particular soot particles or gaseous pollutants as targeted pollutants.

Troubleshooting

Purifier not working?

Please check whether the power cord is connected correctly
Please check whether the purifier is at minimum wind speed
Please check whether the bottom cover is in the lock position

Running noise?

Please check whether the filter is installed
Please check whether the protective bags of the carbon barrel have been removed